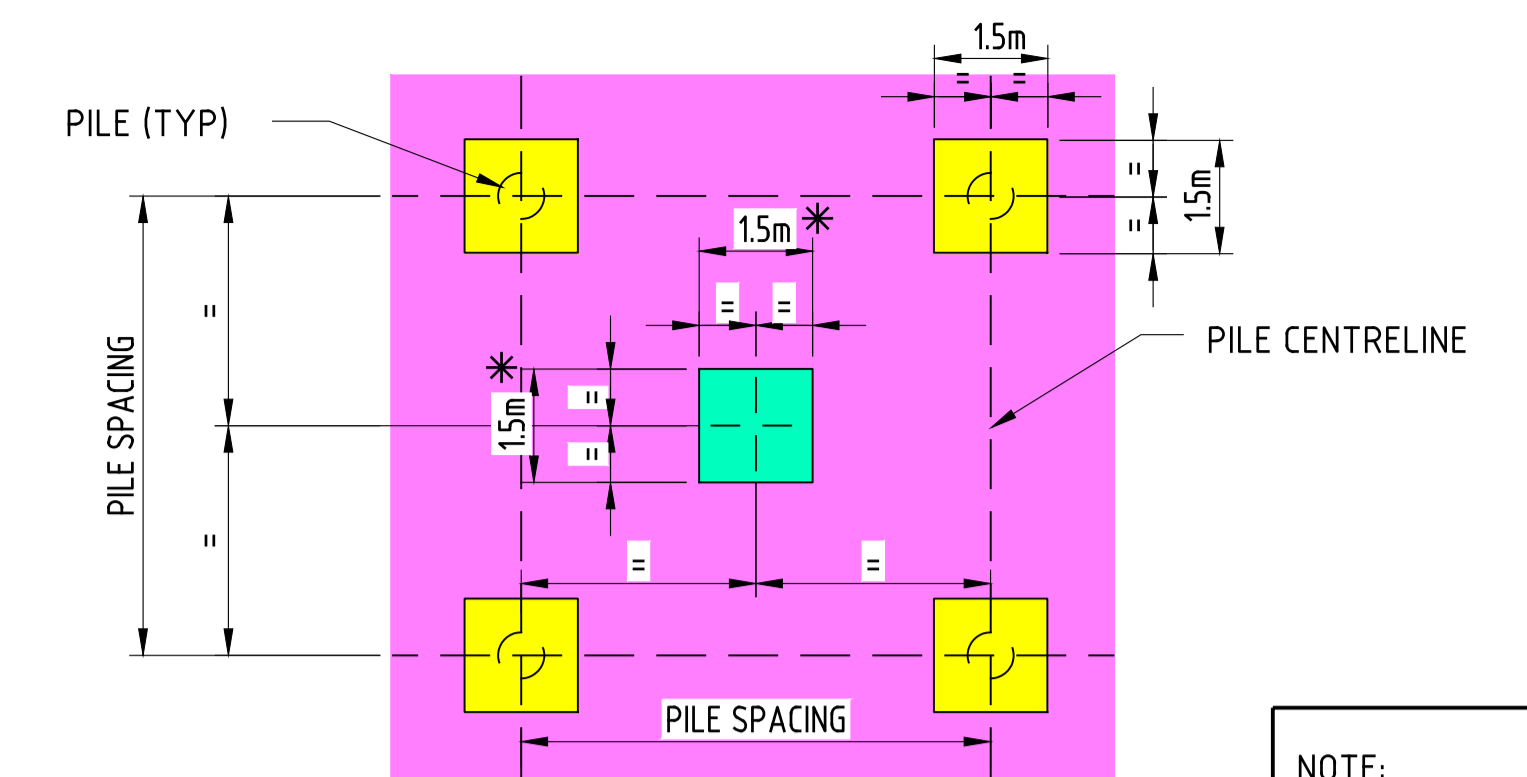


LIVE LOAD LIMIT TABLE					
LOAD AREA (COLOURED)	MAXIMUM OUTRIGGER LOAD TONNES (t)	OUTRIGGER PAD SIZE (m) (REFER TO NOTE 3)	LIVE LOAD AND OTHER CRANE OUTRIGGER EXCLUSION ZONE (SQUARE GRID CENTRED AROUND OUTRIGGERS) (m). (REFER TO NOTE 6)	PERMISSIBLE UNIFORMLY DISTRIBUTED LIVE LOAD (t/m ²) OUTSIDE LIVE LOAD EXCLUSION ZONE (REFER TO NOTE 7)	TYPICAL UNIFORMLY DISTRIBUTED LIVE LOAD (t/m ²) PERMISSIBLE UNDER NORMAL CONDITIONS (NO LARGE OUTRIGGER LOADS)
WHARF EXTENSION					
1	90	1.5 x 1.5 *	9 x 9	2.5	2.5
2	78	1.5 x 1.5	12.5 x 12.5	2.5	
3	80 (60)	2.4 x 2.4 (1.5 x 1.5)	12.5 x 12.5 (12.5 x 12.5)	2.5 (2.5)	
4	70	2.4 x 2.4	9 x 9	2.5	
5	60	2.4 x 2.4	9 x 9	2.5	
6	90 (75)	2.4 x 2.4 (1.5 x 1.5)	12.5 x 12.5 (12.5 x 12.5)	2.5	
7	NO OUTRIGGER LOAD ALLOWED				
ORIGINAL WHARF					
8	90	1.5 x 1.5 *	6.25 x 6.25	3.8	3.8
9	90	1.5 x 1.5	12.5 x 12.5	2.0	
10	90	1.5 x 1.5	6.25 x 3.25	3.8	
11	NO OUTRIGGER LOAD ALLOWED				

* A LARGER OUTRIGGER PAD MAY BE USED IF THE OUTRIGGER IS ON THE CENTRE OF THE PANEL

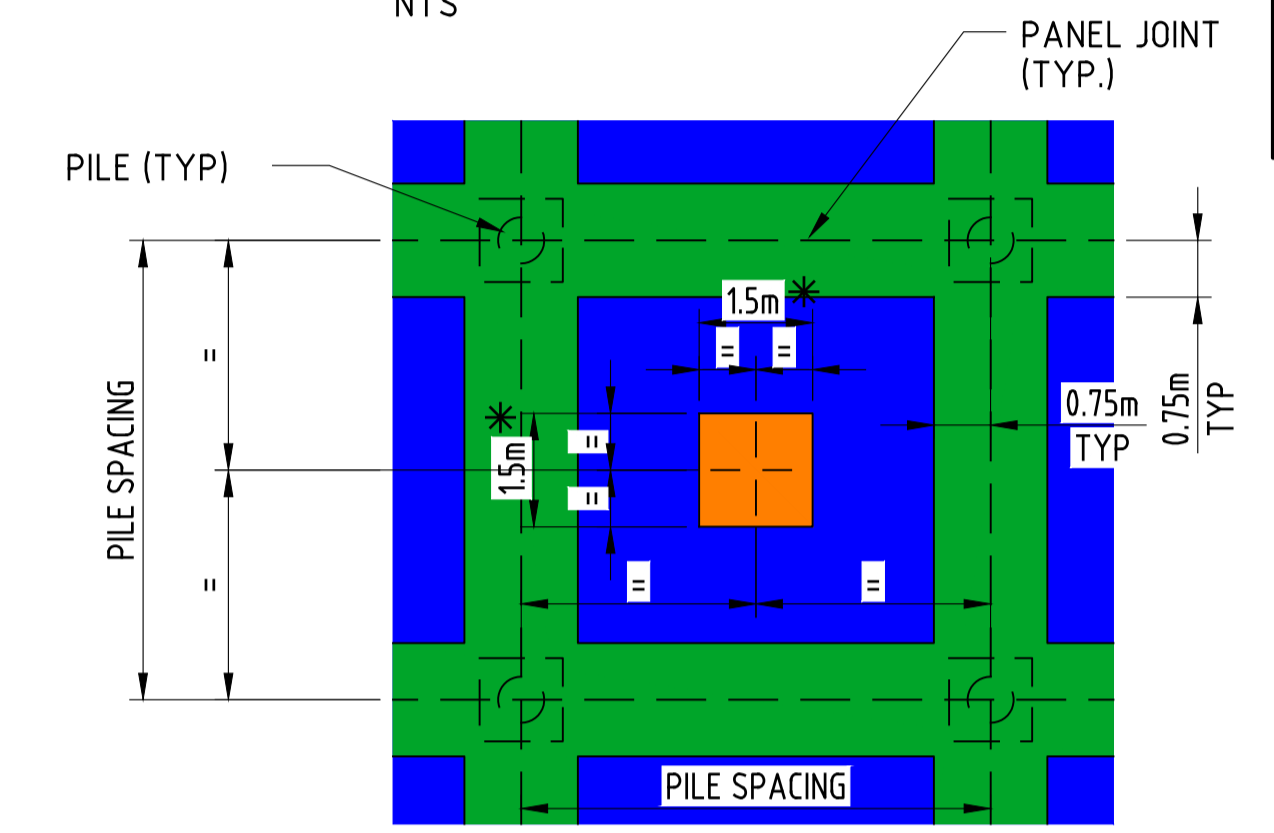
IMPORTANT NOTES ON DCW OPERATION REQUIREMENTS:

- OUTRIGGER PAD MUST BE WHOLLY WITHIN COLOURED AREA FOR RESPECTIVE OUTRIGGER LOAD.
- MAXIMUM OUTRIGGER LOAD MUST NOT EXCEED 90t GENERALLY.
- ALL CRANE LIFTS SHALL USE SPECIALLY ENGINEERED OUTRIGGER PADS OF MINIMUM SIZE 1.5m x 1.5m OR LARGER (REFER TO LIVE LOAD LIMIT TABLE) COMPRISED OF WELDED STEEL PLATES EITHER SIDE OF A GRID OF STIFFENED STEEL BEAMS. THE OUTRIGGER SHALL BE CENTERED ON THE PAD AND EVENLY DISTRIBUTE LOAD OVER ENTIRE FOOTPRINT.
- ABNORMAL VEHICLE LOADING DIAGRAMS ARE SCHEMATIC ONLY.
- HEAVY LOAD OR HEAVY LIFT OPERATIONS WITH ANY ANTICIPATED OUTRIGGER LOADS GREATER THAN 70t, LIFTED LOAD GREATER THAN 20t, OR CARGO LOADS GREATER THAN 42.5t REQUIRES APPROVAL BY PILBARA PORTS AND ISSUE OF A PERMIT.
- THE LIVE LOAD EXCLUSION ZONE IS A ZONE IN WHICH THE NORMAL 3.8t/m² (ORIGINAL WHARF) AND 2.5t/m² (WHARF EXTENSION) UNIFORMLY DISTRIBUTED LIVE LOADS ARE EXCLUDED WITH ONLY 15KPA (0.15t/m²) PERMITTED. ALL HEAVY VEHICLES ARE TO STAY OUTSIDE THE NOMINATED EXCLUSION ZONE. A LIMIT OF ONE (1) UTILITY OF MAXIMUM 3t WEIGHT IS ALLOWED PER SINGLE SLAB PANEL (SLAB PANEL APPROXIMATELY 6m x 6m IN PLAN AREA) WITHIN THE EXCLUSION ZONE.
- THE PERMISSIBLE UNIFORMLY DISTRIBUTED LIVE LOAD OUTSIDE OF THE LIVE LOAD EXCLUSION ZONE, SPECIFIED IN THE LIVE LOAD LIMIT TABLE, CAN RETURN TO THE NORMAL UNIFORMLY DISTRIBUTED LIVE LOADS WITHIN 2 SPANS (APPROX. 12m) FROM THE CENTRE OF THE OUTRIGGER IN QUESTION.
- LAND SIDE OPERATIONS COORDINATOR RESERVES THE RIGHT TO STOP AREA OPERATIONS WHICH ARE NOT IN ACCORDANCE WITH THE ABOVE REQUIREMENTS OR DEEMED TO BE DETRIMENTAL TO THE LONG TERM DURABILITY OF THE WHARF STRUCTURES.

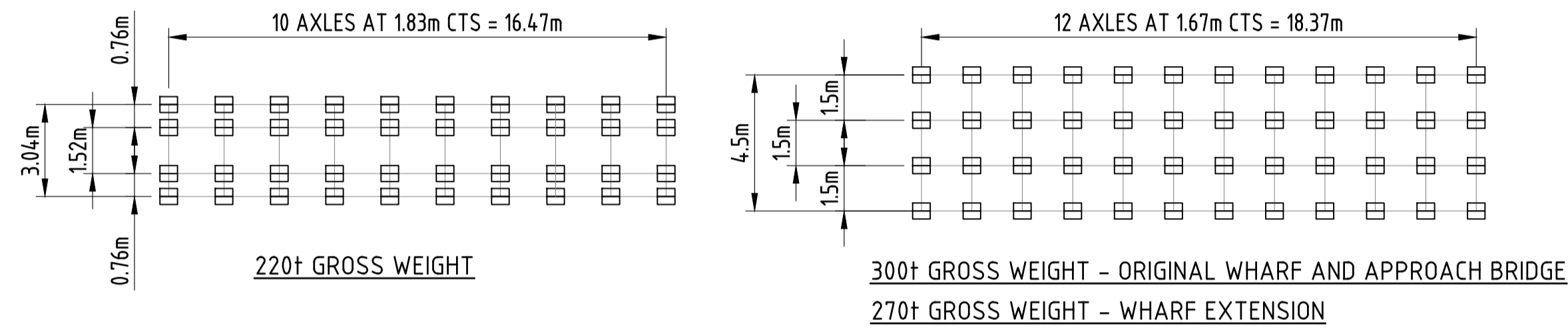


TYPICAL ORIGINAL WHARF LIVE LOAD SETOUT PLAN
NTS

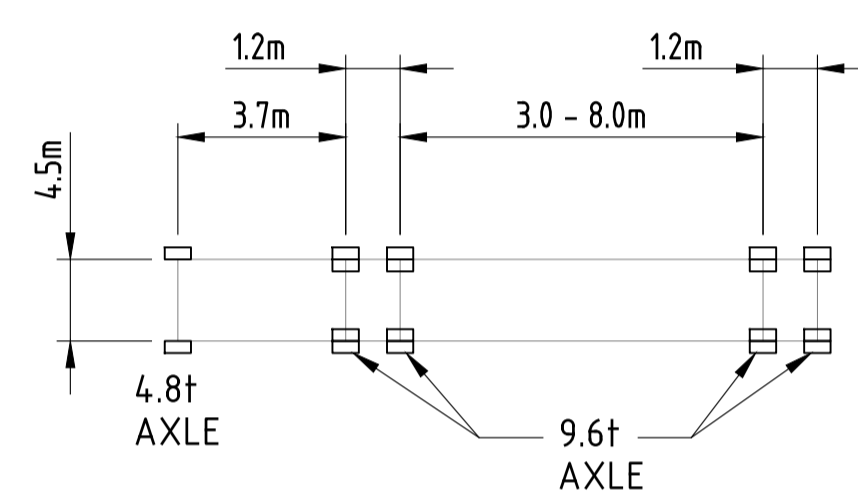
NOTE: OUTRIGGER PAD MUST BE WHOLLY WITHIN COLOURED AREA FOR RESPECTIVE OUTRIGGER LOAD. (TYP.)



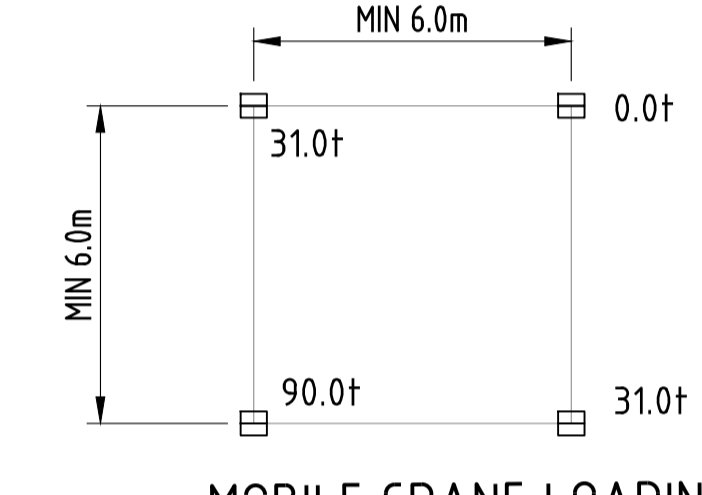
TYPICAL WHARF EXTENSION LIVE LOAD SETOUT PLAN
NTS



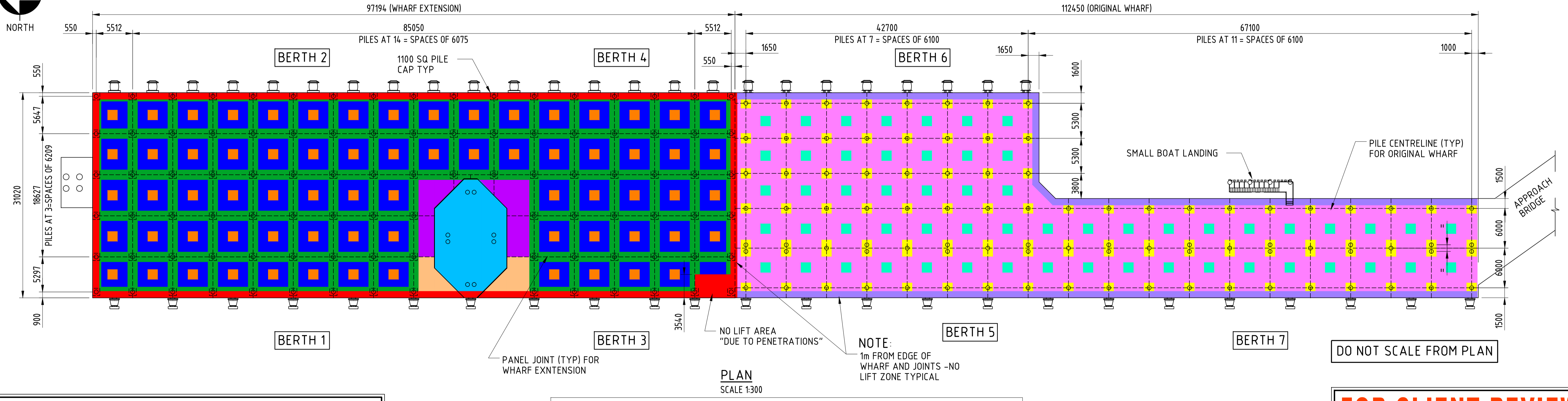
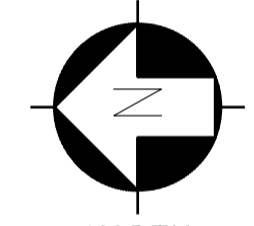
ABNORMAL VEHICLE LOADING
NTS



T44 VEHICLE LOADING
NTS



MOBILE CRANE LOADING FOR WHARF
NTS



PLAN
SCALE 1:300

NOTE: 1m FROM EDGE OF WHARF AND JOINTS - NO LIFT ZONE TYPICAL

DRAWING TO BE READ/PRINTED IN COLOUR

NOTE: DIMENSIONS SHOWN ARE FOR PILE AND WHARF GEOMETRY ONLY. NOT RELATED TO LOAD SETOUT AREAS

FOR CLIENT REVIEW

IMPORTANT NOTE:
THIS PLAN IS PREPARED BY PILBARA PORTS FROM A COMBINATION OF FIELD SURVEY & EXISTING RECORDS FOR THE PURPOSE OF THE WHARF PLAN. LAYOUT INFORMATION SHOWN MAY BE INACCURATE AND NOT REFLECT WHAT EXISTS ON SITE. PILBARA PORTS HOLDS NO RESPONSIBILITY FOR ANY INACCURACIES AND OUTDATED INFORMATION PROVIDED.



TELEPHONE : (08) 9159 6555
EMAIL : feedback@pilbaraports.com.au
POSTAL : LOCKED BAG 5006, KARRATHA WA 6714
WEB : www.pilbaraports.com.au

REV.	DATE	DESCRIPTION	BY	CHK	APP	REV.	DATE	DESCRIPTION	BY	CHK	APP
1B	31/03/25	UPDATED LOADS ON WHARF EXTENSION DUE TO OBSERVED DEFECTS	EC	MB	AI	N	22/11/10	REVISED LOADING FOLLOWING SEP PORTION 5	JH	RLH	RLH
1A	16/4/24	2024 UPDATED LOAD RATING	RM	AI		M	27/8/10	REVISED REPAIRS FOR SEPARABLE PORTION 5	JH	RLH	RLH
Z	1/8/19	UPDATED LOADS AND POSITIONS FOR AREAS 3, 4 + 5	TJ	SM	LC	L	11/6/10	STACKLOADS UPDATED FOR SEP PORT 5, SOFFIT REPAIRS	EdK	RLH	RLH
Y	5/11/18	PLAN CHANGED TO COLOUR DIAGRAM	EC	RLH	LC	J	24/2/10	GENERAL LAYOUT MODIFICATIONS	EdK	RLH	RLH
X	10/3/17	LAYOUT MODIFIED AND LMF DRAWING ADDED	LMC	TU	RLH	H	10/10/09	STACK LOADS UPDATED FOR SEP. PORTION 1 TOPSIDE REPAIRS	EC	RLH	RLH
W	12/9/14	EMBEDDED DOLPHIN POINT LOADS UPDATED	CBC	RLH	RLH	G	9/7/09	BOLLARDS & WATER VALVES ADDED	EC	RLH	N/A
V	7/11/13	CRANE LOADING UPDATED	JF	RLH	RLH	F	9/4/09	STACK LOADS UPDATED FOR SEP. PORTION 4 SOFFIT REPAIRS	EC	RLH	RLH
U	31/01/13	CRANE LOADING SPECIFICATIONS UPDATED	TW	RLH	RLH	E	13/12/08	DIMENSIONS FOR BOLLARDS, WATER AND FUEL POINTS ADDED	EC	PB	RLH
T	14/09/11	OPERATION NOTES AMENDED	JF	RLH	RLH	D	3/9/08	STACK LOADS UPDATED	EC	PB	RLH
S	04/07/11	TRAFFIC CLOSURE EXTENT INCLUDED	TW	RLH	RLH	C	6/7/08	STACK LOADS UPDATED	EC	KW	RLH
R	20/05/11	SECTION A ADDED	JH	RLH	RLH	B	10/3/08	BERTHS LABELLED	EC	LDH	RLH
P	20/01/11	EASTERN FACE FENDERING NOTE UPDATED	JH	RLH	RLH	A	30/1/08	BERTHS LABELLED	EC	RLH	RLH

DRAWN:	EC	DATE:	12/10/18
CHECKED:	RH	DATE:	12/10/18
APPROVED:	LC	DATE:	12/10/18

COPYRIGHT 2017 PILBARA PORTS		PROJECT: DAMPIER CARGO WHARF LOADING DIAGRAM		A1	
THIS DOCUMENT AND INFORMATION CONTAINED IN IT IS THE SOLE PROPERTY OF PILBARA PORTS AND MAY NOT BE USED, EXPLOITED, COPIED, DUPLICATED OR REPRODUCED IN ANY FORM OR MEDIUM WHATSOEVER WITHOUT THE PRIOR WRITTEN PERMISSION OF PILBARA PORTS					
DO NOT ALTER MANUALLY DO NOT SCALE					
AUTOCAD FILE No.	D15-DE-001.DWG	SCALE:	AS SHOWN	DWG No:	D15-DE-001
REV:	1B				